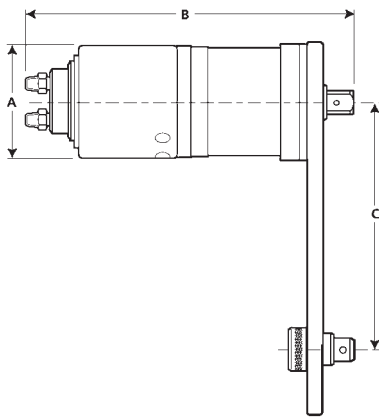


Pneutorque® Remote Control Standard Series

All Standard and Small Diameter Series Pneutorques are available fitted with the remote motor.

- Stall control gives repeatability of $\pm 5\%$ on a given joint.
- Torque transducers and angle encoders available for all models. These form the basis of sophisticated control systems giving repeatability of up to $\pm 2\%$. See page 83.
- Automatic Two Speed gearbox reduces run-down times.
- Each gearbox supplied with a standard reaction device or, on request, one specifically designed to suit the application.



PT2 Remote



Standard Series, Remote Control

Model	Square Drive	Part No.	Range		Free Speed [†]	A	B	C min	C max	Tool Weight	Reaction Weight
	in		N.m	lbf.ft							
PT 1	3/4	16031.X	160-680	120-500	30	108	292	83	217	10.6	2.2
PT 1 AUT	3/4	16031.XAUT	160-680	120-500	150	108	361	83	217	14.1	2.2
PT 1	1	16011.X	160-680	120-500	30	108	298	83	217	10.6	2.2
PT 1 AUT	1	16011.XAUT	160-680	120-500	150	108	366	83	217	14.1	2.2
PT 1A	1	16097.X	270-1200	200-900	15	108	298	83	217	11.1	2.2
PT 1A AUT	1	16097.XAUT	270-1200	200-900	75	108	366	83	217	14.6	2.2
PT 2	1	16013.X	515-1700	380-1250	9	108	298	83	217	11.1	2.2
PT 2 AUT	1	16013.XAUT	515-1700	380-1250	45	108	366	83	217	14.6	2.2
PT 5	1	16015.X	880-3400	650-2500	5	119	348	86	264	14	2.5
PT 5 AUT	1	16015.XAUT	880-3400	650-2500	25	119	417	86	264	17.5	2.5

[†]Speed at maximum air pressure and in high gear where applicable.