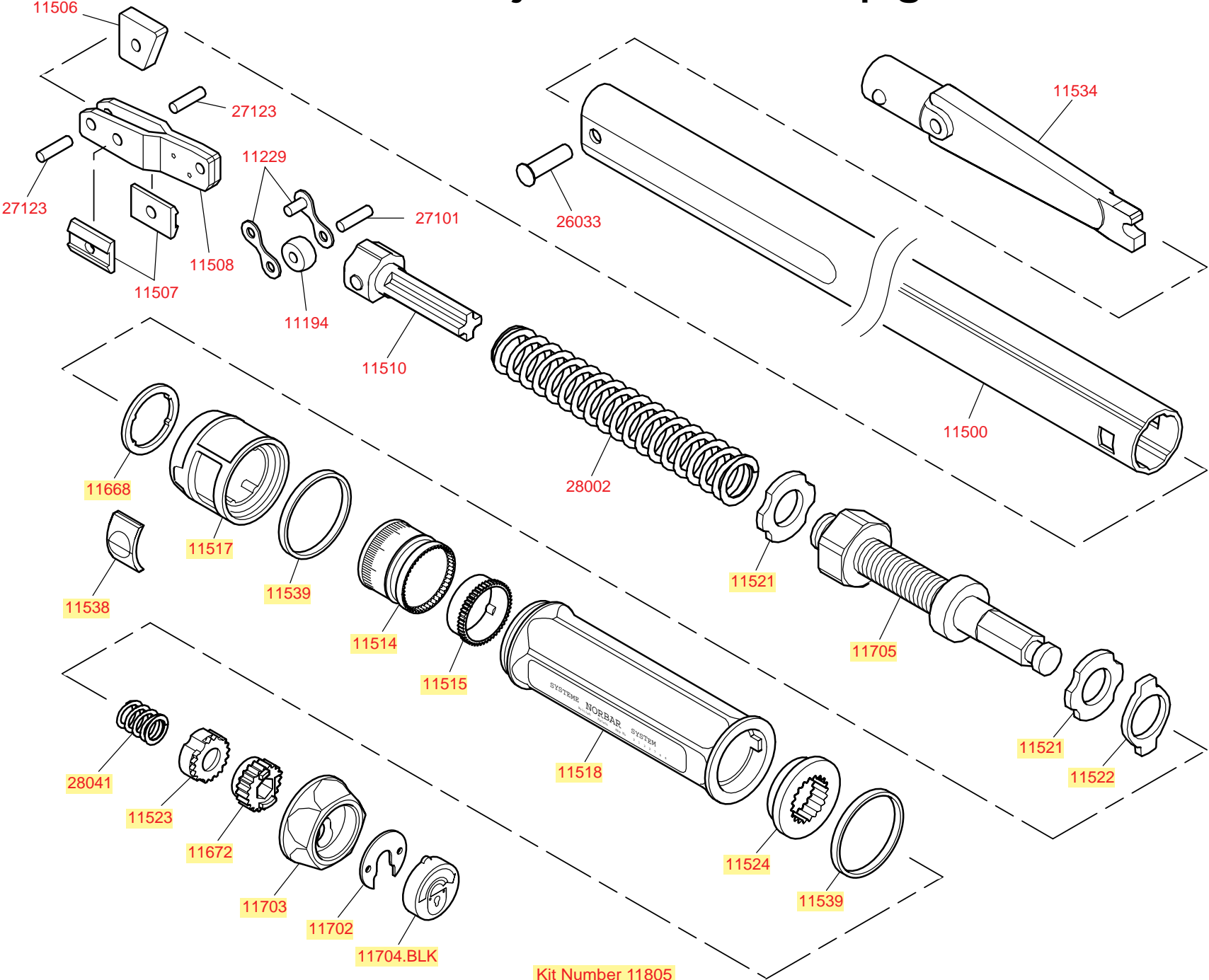


Model 100 Adjustable 16mm Spigot Professional Torque Handle



NORBAR TORQUE TOOLS LTD Beaumont Road, Banbury, Oxon. OX16 7XJ UNITED KINGDOM
Tel: +44 (0) 1295 270333 Fax: +44 (0) 1295 269864 <http://www.norbar.com>

Model 100 Adjustable 16mm Spigot



Kit Number 11805

Model 100 Adjustable 16mm Spigot

PART No	QUANTITY	DESCRIPTION
11194	1	ROLLER
11229	1	CHAIN LINK WITH PINS + LINK
11500	1	BODY TUBE
11506	1	PIVOT BLOCK
11507	2	FRICTION PAD
11508	1	SECONDARY LEVER ASSEMBLED
11510	1	TRANSVERSE LINK
11514	1	SCALE ROTATING GEAR
11515	1	STATIONARY GEAR
11517	1	SCALE MECHANISM COVER
11518	1	HANDLE SLEEVE
11521	2	SHAPED WASHER
11522	1	END STOP
11523	1	HANDLE LOCKING COLLAR
11524	1	HANDLE DRIVE COLLAR
11534	1	LEVER ARM 16mm SPIGOT
11538	1	CLEAR LENS
11539	2	NYLON RING
11668	1	THRUST WASHER
11672	1	DRIVE SLEEVE TO SCREW
11702	1	RETENTION WASHER
11703	1	LOCKING KNOB
11704.BLK	1	END CAP
11705	1	ADJUSTING SCREW ASSEMBLY
26033	1	PIN PIVOT
27101	1	NEEDLE ROLLER 3.5 x 13.8mm
27123	2	NEEDLE ROLLER 4 x 15.8mm
28002	1	SPRING COMP 16.5D x 97 x 2.64WD
28041	1	HANDLE LOCKING SPRING