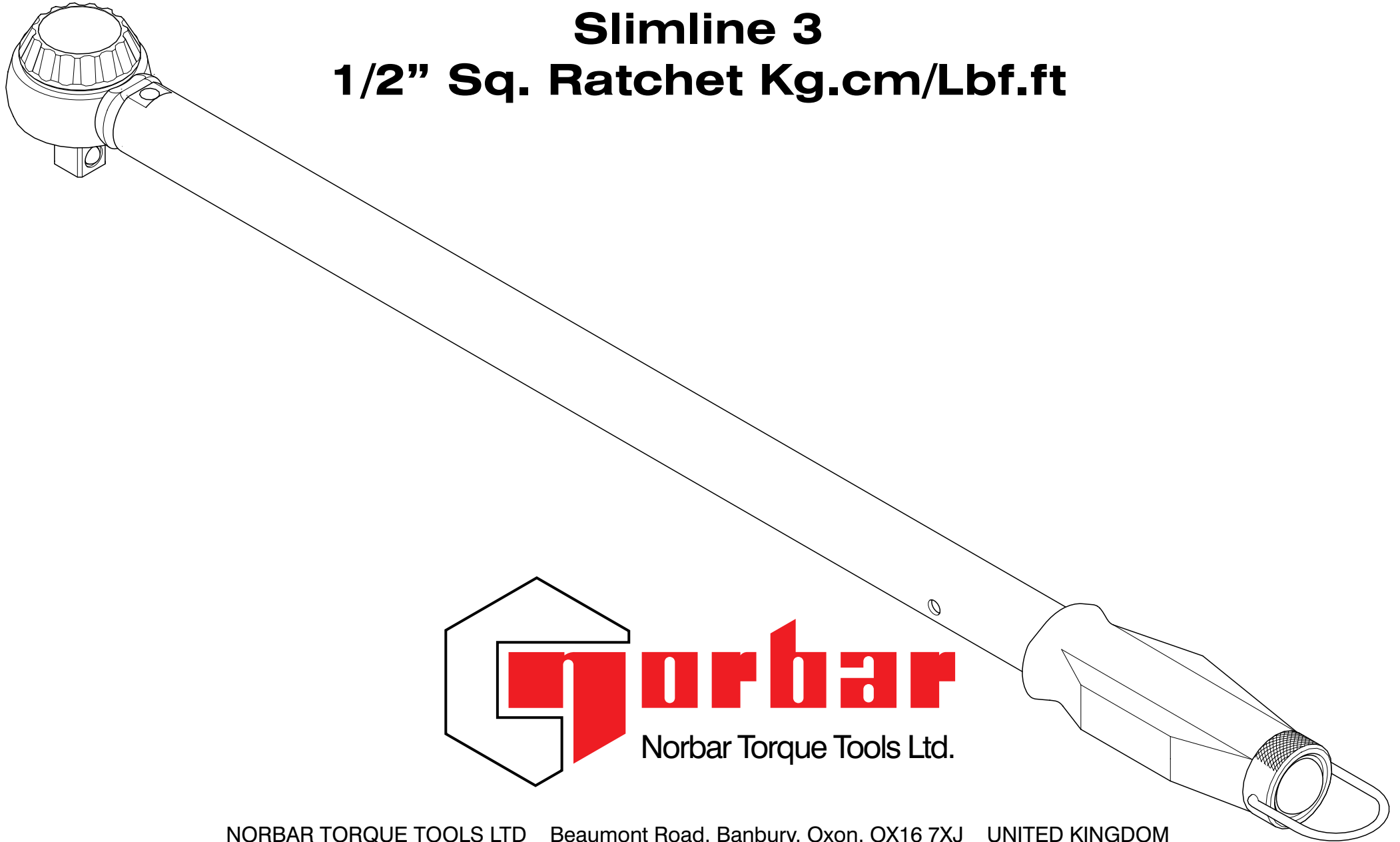


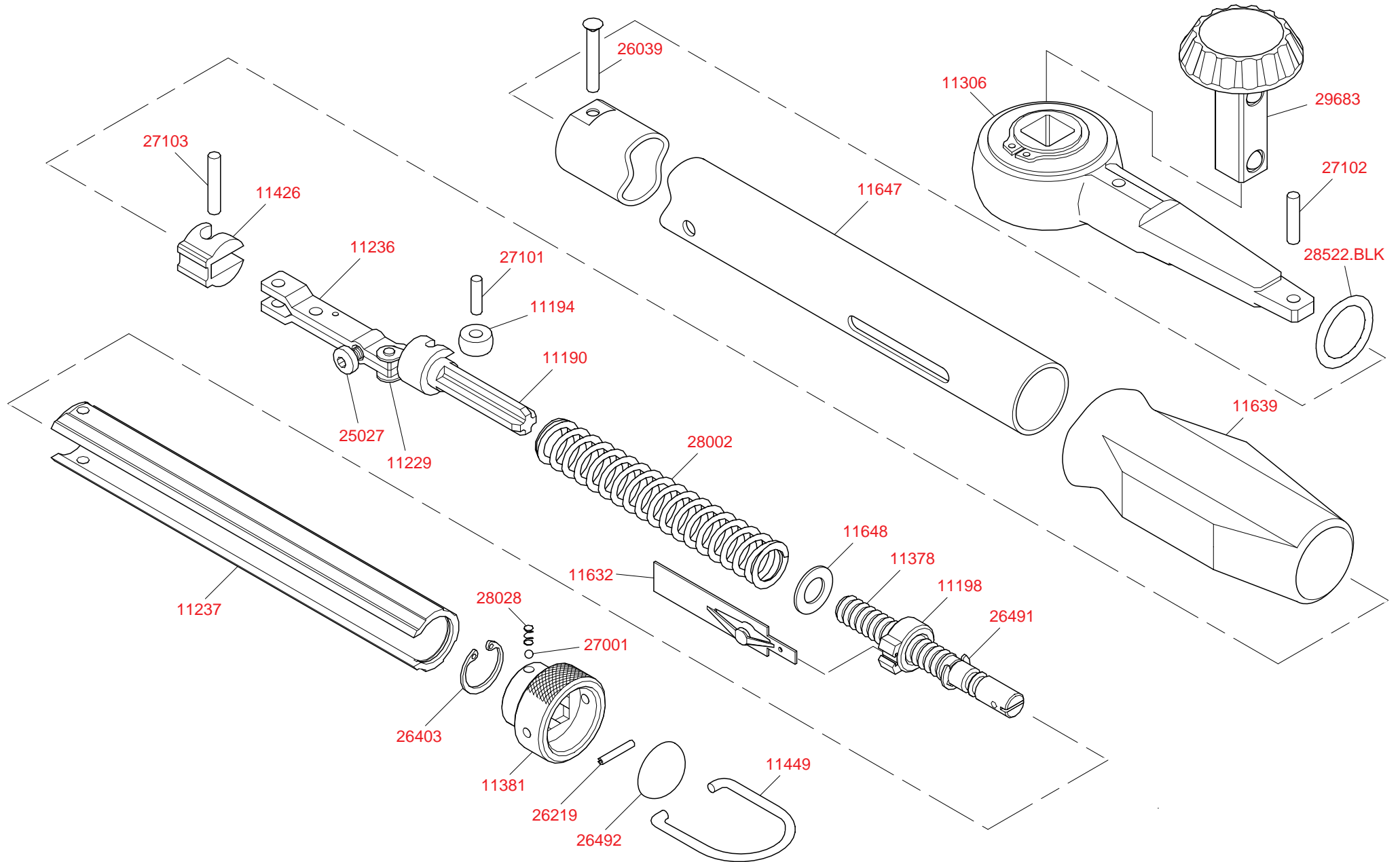
Slimline 3

1/2" Sq. Ratchet Kg.cm/Lbf.ft



NORBAR TORQUE TOOLS LTD Beaumont Road, Banbury, Oxon. OX16 7XJ UNITED KINGDOM
Tel: +44 (0) 1295 270333 Fax: +44 (0) 1295 753643 <http://www.norbar.com>

SL3 1/2" Sq. Ratchet Kg.cm/Lbf.ft



SL3 1/2" Sq. Ratchet Kg.cm/Lbf.ft

| PART No | QUANTITY | DESCRIPTION |
|-----------|----------|--|
| 11190 | 1 | TRANSVERSE LINK NYLON |
| 11194 | 1 | ROLLER SLIMLINE AND PROF |
| 11198 | 1 | SLIMLINE ADJUSTING NUT 20 TPI |
| 11229 | 1 | CHAIN LINK WITH PINS+LINK |
| 11236 | 1 | SECONDARY LEVER - TAPPED |
| 11237 | 1 | SECONDARY TUBE |
| 11306 | 1 | RATCHET LEVER ASSY SL3 1/2" SQ. |
| 11378 | 1 | ADJUSTING SCREW FOR FREEWHEEL KNOB |
| 11381 | 1 | ADJUSTING KNOB STEEL |
| 11426 | 1 | SPACER FOR SLIMLINE MOTION ASSY |
| 11449 | 1 | HANGER FOR SLIMLINE WRENCHES |
| 11632 | 1 | CURSOR FOR SL1 SL2 SL3 |
| 11639 | 1 | HANDLE CLEAR PLASTIC |
| 11647 | 1 | BODY TUBE SL3 STANDARD SLOTTED |
| 11648 | 1 | WASHER THRUST SLIMLINE TW |
| 25027 | 1 | SCREWS BUTTON HEAD 2BA |
| 26039 | 1 | RIVET SEMI-TUBULAR FOR SLIMLINE |
| 26219 | 1 | PIN TENSION 3/32" x 9/16" |
| 26403 | 1 | CIRCLIP 17mm INTERNAL ROUND EYE |
| 26491 | 1 | SPRING CLIP 8-11mm DIA EXTERNAL |
| 26492 | 1 | WASHER STARLOCK 11/32" DIA |
| 27001 | 1 | STEEL BALL 1/8" DIA |
| 27101 | 1 | NEEDLE ROLLER 3.5mm DIA x 13.8mm |
| 27102 | 1 | NEEDLE ROLLER 4mm DIA x 17.8mm |
| 27103 | 1 | NEEDLE ROLLER 4mm DIA x 21.8mm |
| 28002 | 1 | SPRING COMP 16.5mm DIA x 97mm x 2.64mm |
| 28028 | 1 | SPRING COMP 3mm DIA x 6.35mm x 0.5mm |
| 28522.BLK | 1 | O RING 18.5mm ID x 3.5mm SECT |
| 29683 | 1 | MUSHROOM HEAD ASSY 1/2" SQ. LONG |
| | | |
| | | |
| | | |