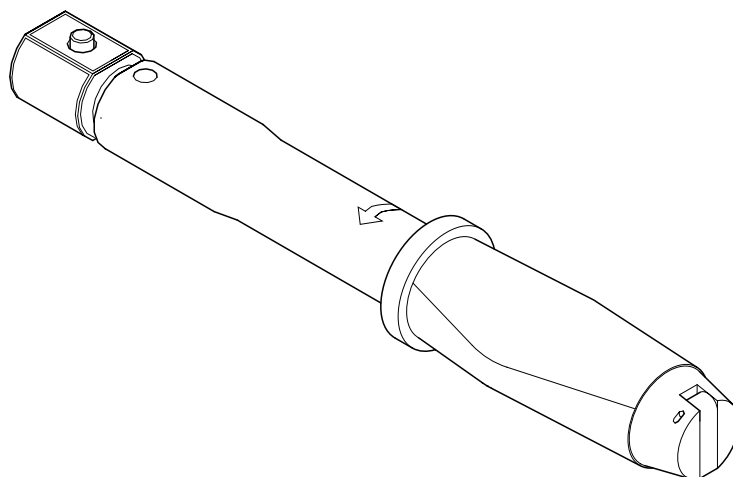


## **Slimline 0 Plastic Knob 9x12 Female Kgf.cm/Lbf.in**



# SL0 9x12 Female Kgf.cm/Lbf.in

