

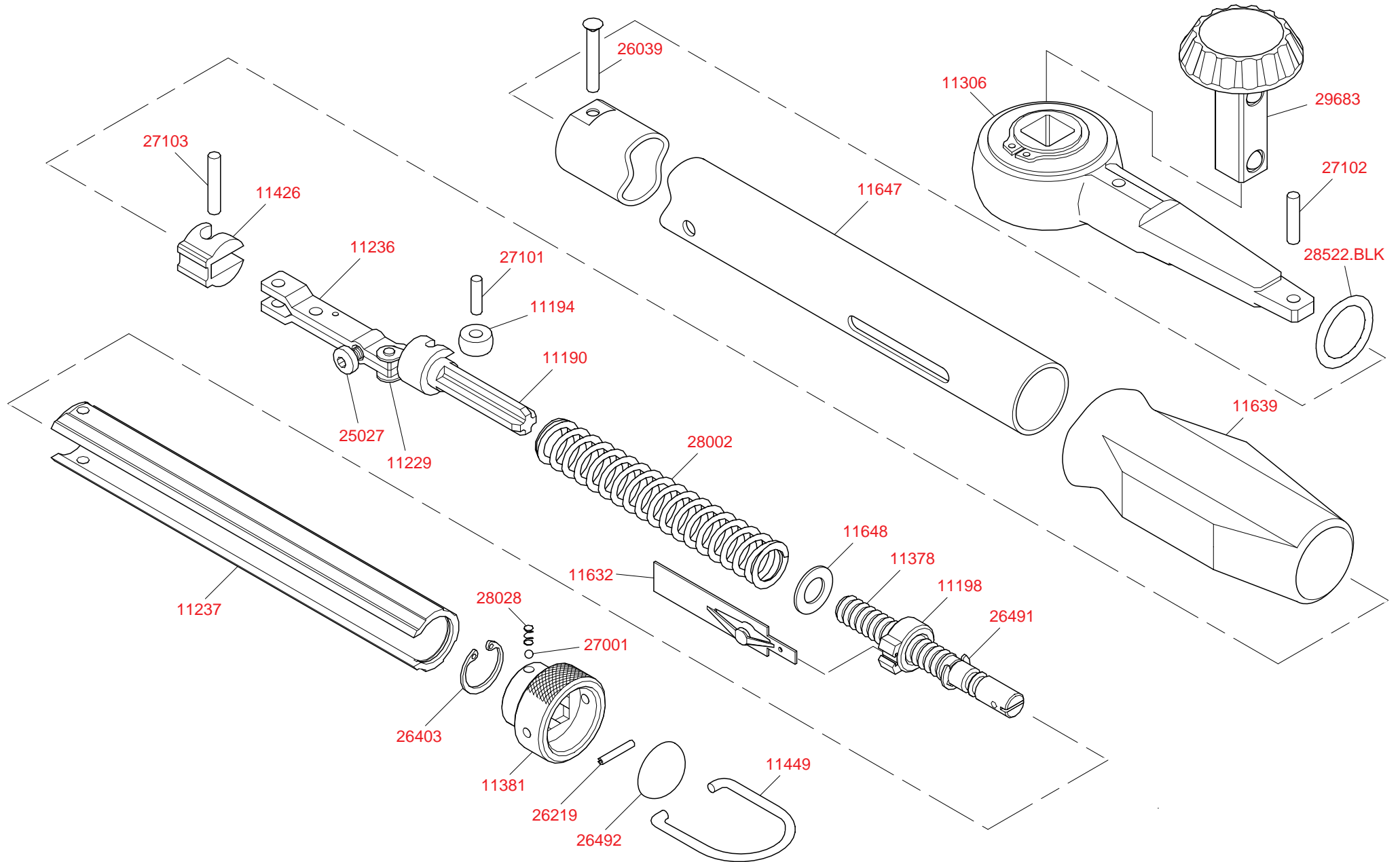
# Slimline 3

## 1/2" Sq. Ratchet N.m/Lbf.ft



NORBAR TORQUE TOOLS LTD Beaumont Road, Banbury, Oxon. OX16 7XJ UNITED KINGDOM  
Tel: +44 (0) 1295 270333 Fax: +44 (0) 1295 753643 <http://www.norbar.com>

# SL3 1/2" Sq. Ratchet N.m/Lbf.ft



## SL3 1/2" Sq. Ratchet N.m/Lbf.ft

PART No	QUANTITY	DESCRIPTION
11190	1	TRANSVERSE LINK NYLON
11194	1	ROLLER SLIMLINE AND PROF
11198	1	SLIMLINE ADJUSTING NUT 20 TPI
11229	1	CHAIN LINK WITH PINS+LINK
11236	1	SECONDARY LEVER - TAPPED
11237	1	SECONDARY TUBE
11306	1	RATCHET LEVER ASSY SL3 1/2" SQ.
11378	1	ADJUSTING SCREW FOR FREEWHEEL KNOB
11381	1	ADJUSTING KNOB STEEL
11426	1	SPACER FOR SLIMLINE MOTION ASSY
11449	1	HANGER FOR SLIMLINE WRENCHES
11632	1	CURSOR FOR SL1 SL2 SL3
11639	1	HANDLE CLEAR PLASTIC
11647	1	BODY TUBE SL3 STANDARD SLOTTED
11648	1	WASHER THRUST SLIMLINE TW
25027	1	SCREWS BUTTON HEAD 2BA
26039	1	RIVET SEMI-TUBULAR FOR SLIMLINE
26219	1	PIN TENSION 3/32" x 9/16"
26403	1	CIRCLIP 17mm INTERNAL ROUND EYE
26491	1	SPRING CLIP 8-11mm DIA EXTERNAL
26492	1	WASHER STARLOCK 11/32" DIA
27001	1	STEEL BALL 1/8" DIA
27101	1	NEEDLE ROLLER 3.5mm DIA x 13.8mm
27102	1	NEEDLE ROLLER 4mm DIA x 17.8mm
27103	1	NEEDLE ROLLER 4mm DIA x 21.8mm
28002	1	SPRING COMP 16.5mm DIA x 97mm x 2.64mm
28028	1	SPRING COMP 3mm DIA x 6.35mm x 0.5mm
28522.BLK	1	O RING 18.5mm ID x 3.5mm SECT
29683	1	MUSHROOM HEAD ASSY 1/2" SQ. LONG