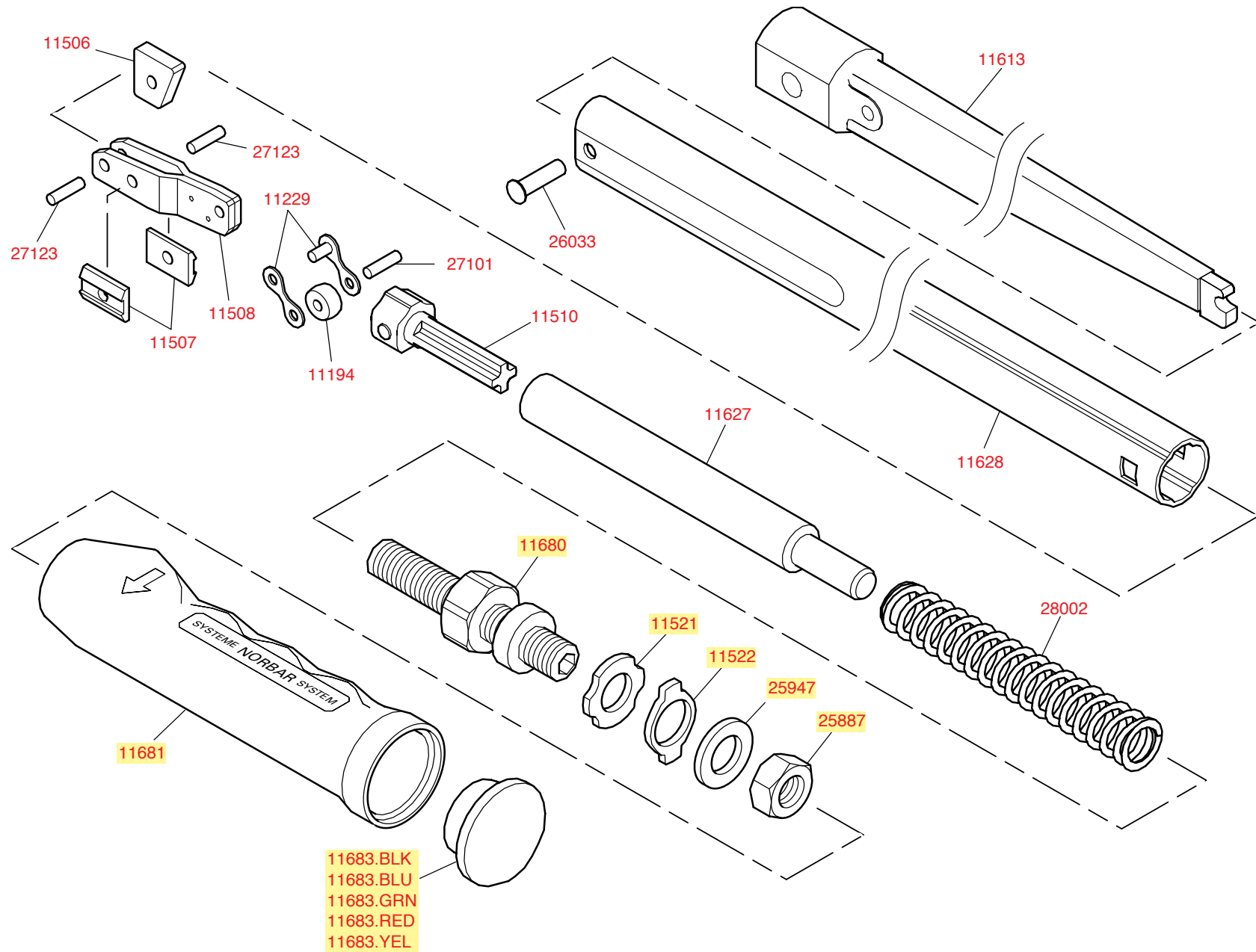


# Model 300 'P' Type 14 x 18 Female (extended) Professional Torque Handle



# Model 300 'P' Type 14 x 18 Female (extended)



Kit Number 11807

## Model 300 'P' Type 14 x 18 Female (extended)

PART No	QUANTITY	DESCRIPTION
11194	1	ROLLER
11229	1	CHAIN LINK WITH PINS + LINK
11506	1	PIVOT BLOCK
11507	2	FRICTION PAD
11508	1	SECONDARY LEVER ASSEMBLED
11510	1	TRANSVERSE LINK
11521	1	SHAPED WASHER
11522	1	END STOP
11613	1	LEVER ARM 14 x 18 FEMALE
11627	1	SPACER
11628	1	BODY TUBE
11680	1	THREADED ADJUSTING SCREW
11681	1	PRESS ON HANDLE
11683.BLK	2	DOMED HANDLE END CAP BLACK
11683.BLU	2	DOMED HANDLE END CAP BLUE
11683.GRN	2	DOMED HANDLE END CAP GREEN
11683.RED	2	DOMED HANDLE END CAP RED
11683.YEL	2	DOMED HANDLE END CAP YELLOW
25887	1	HIGH TENSION HEX. NUT M8
25947	1	WASHER .39 / .395 x .65 x .018
26033	1	PIN PIVOT
27101	1	NEEDLE ROLLER 3.5 x 13.8mm
27123	2	NEEDLE ROLLER 4 x 15.8mm
28002	1	SPRING COMP 16.5D x 97 x 2.64WD