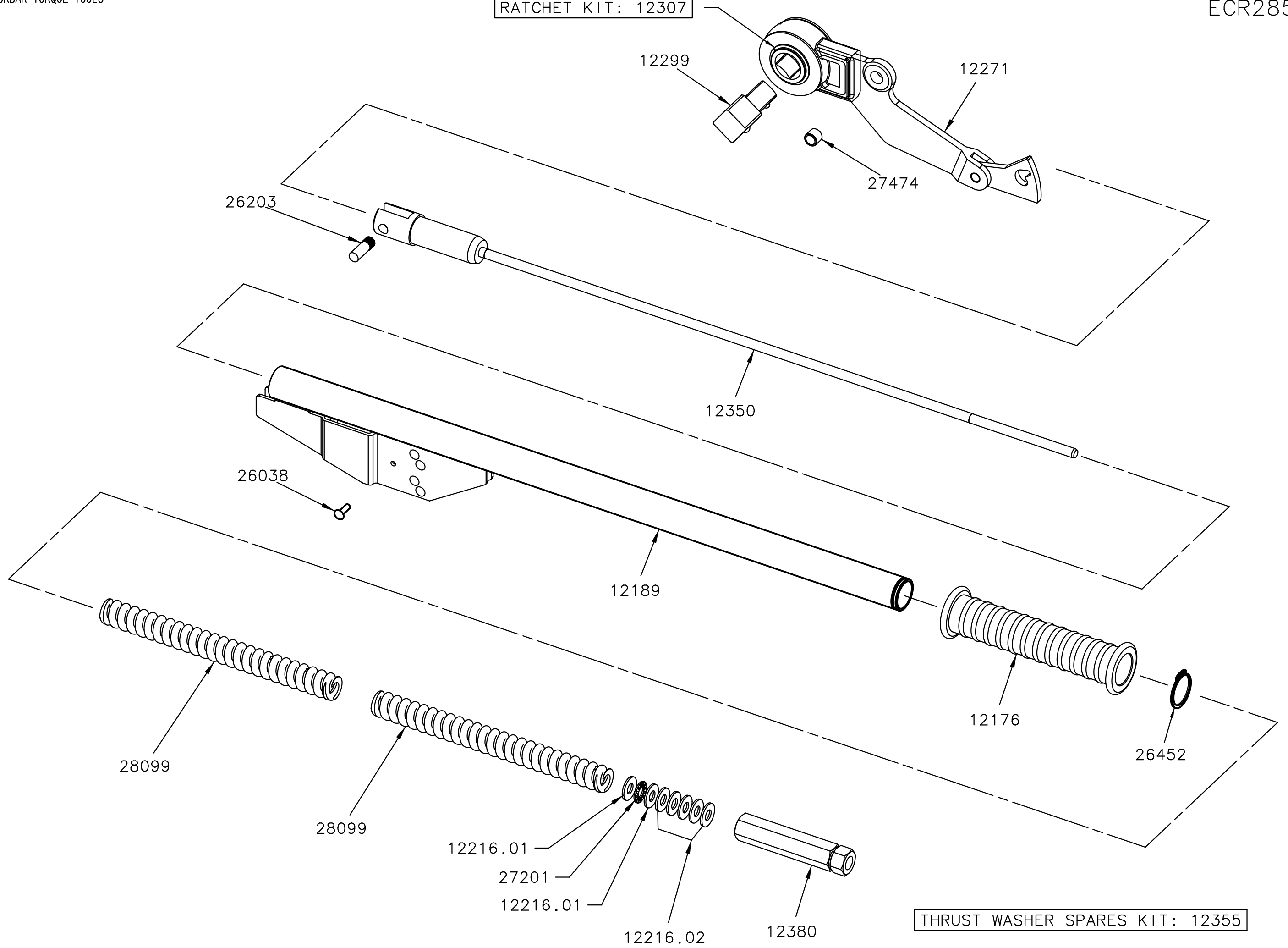


12001.01 - 3AR 1" SQ. DR. 100-500 N.m

RATCHET KIT: 12307



THRUST WASHER SPARES KIT: 12355

12001.01 - 3AR 1" SQ. DR. 100-500 N.m

12176	1	BLACK PLASTIC HANDLE FOR INDUSTRIAL TORQUE WRENCH
12189	1	BODY ASSY STANDARD IND
12216.01	2	HARDENED THRUST WASHER
12216.02	5	WASHER 3/8 WHIT BR STEEL
12271	1	LVR ARM ASSY 3AR
12299	1	SQ DRIVE ASSY 1 GEDORE
12350	1	3AR 4R 4AR 5R PLUNGER & ROD WELDED ASSY
12380	1	INDUSTRIAL ADJUSTING NUT
26038	1	RIVET OV.HD.3/16 SHK.x5/8
26203	1	KNURLED PIN FOR IND. PLUNGER TO FORK END
26452	1	30MM EXT CIRCLIP TO DIN 471
27201	1	BRG THRUST NDL
27474	1	BRG BUSH 3/8x1/2x10.3mm LONG
28099	2	BREAK BACK COMPRESSION SPRING
Part No	Qty	Description