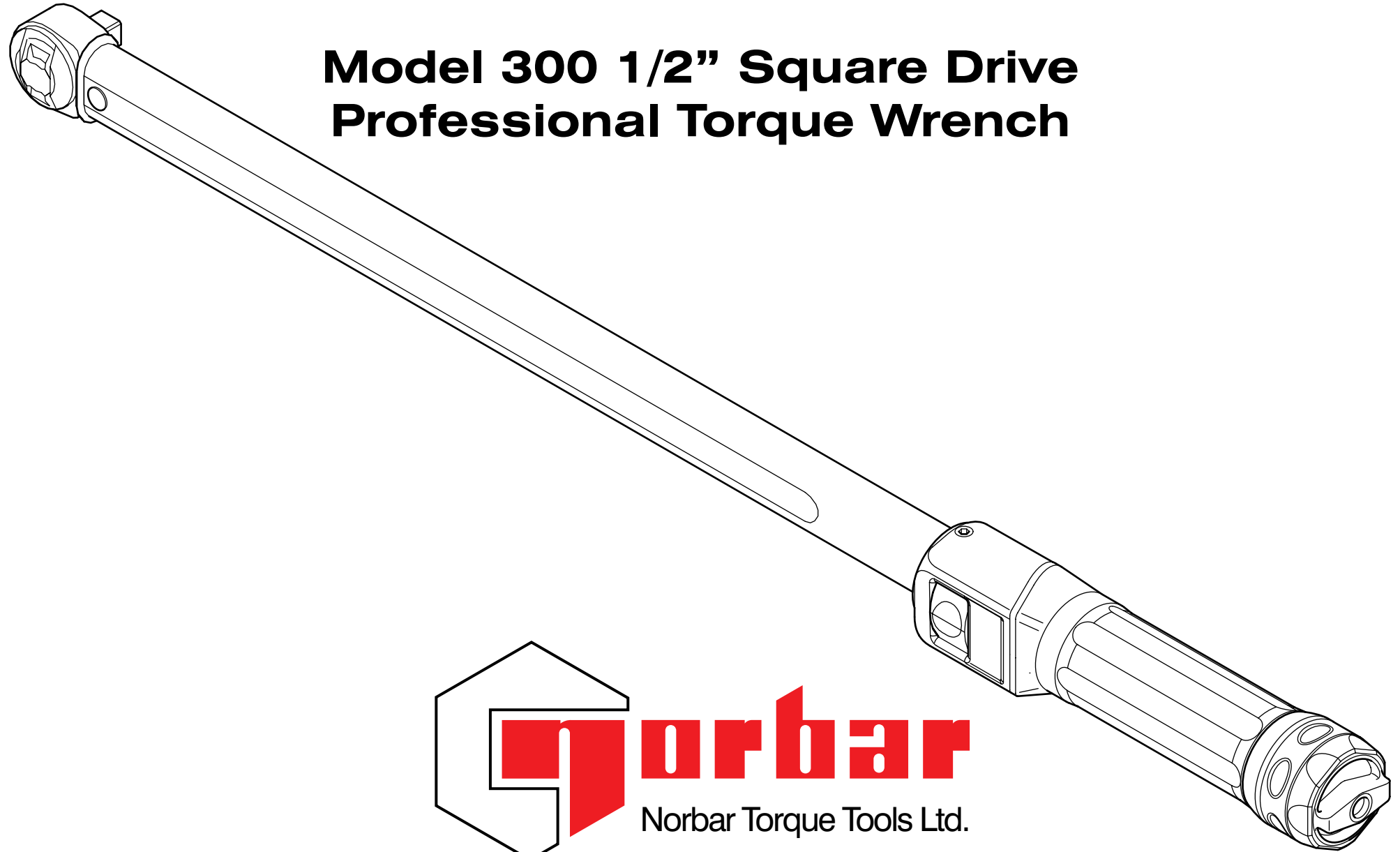
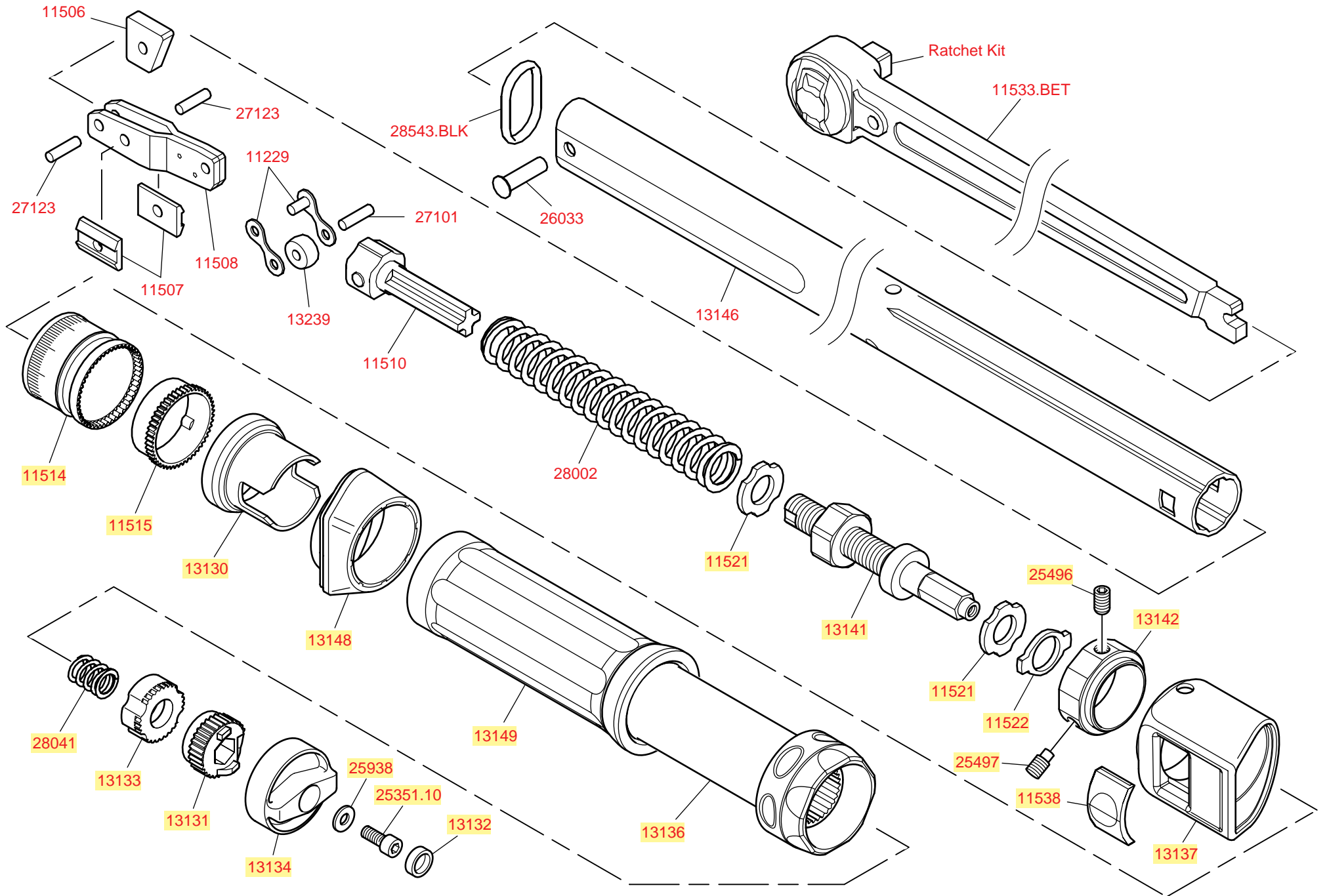


# Model 300 1/2" Square Drive Professional Torque Wrench



NORBAR TORQUE TOOLS LTD Beaumont Road, Banbury, Oxon. OX16 7XJ UNITED KINGDOM  
Tel: +44 (0) 1295 270333 Fax: +44 (0) 1295 753643 <http://www.norbar.com>

# MODEL 300 1/2" Sq. Dr. N.m/Lbf.ft



## MODEL 300 1/2" Sq. Dr. N.m/Lbf.ft

PART No	QUANTITY	DESCRIPTION
13239	1	ROLLER
11229	1	CHAIN LINK WITH PINS + LINK
11506	1	PIVOT BLOCK
11507	2	FRICTION PAD
11508	1	SECONDARY LEVER ASSEMBLED
11510	1	TRANSVERSE LINK
11514	1	SCALE ROTATING GEAR
11515	1	STATIONARY GEAR
11521	2	SHAPED WASHER
11522	1	END STOP
11533.BET	1	RATCHET MODEL 300 1/2" SQUARE DRIVE
11538	1	CLEAR LENS
13130	1	SCALE ROTATING CAM
13131	1	DRIVE SLEEVE GEAR 30 TEETH
13132	1	END BUNG - PLASTIC
13133	1	LOCKING COLLAR GEAR 30 TEETH
13134	1	LOCKING KNOB
13136	1	SCALE ADJUSTING KNOB
13137	1	SCALE MECHANISM COVER
13141	1	ADJUSTING SCREW
13142	1	THRUST WASHER
13146	1	BODY TUBE MODEL 300 - 2 SHOT HANDLE
13148	1	STATIONARY HANDLE ASSEMBLY
13149	1	ROTATING HANDLE ASSEMBLY
25351.10	1	SCREW M4 x 10mm G12.9
25496	1	GRUB SCREW SOCKET M5 x 8LF OVAL
25497	1	GRUB SCREW SOCKET M5 x 6LG DOG POINT
25938	1	WASHER M4 STANDARD FLAT
26033	1	PIN PIVOT
27101	1	NEEDLE ROLLER 3.5mm DIA x 13.8mm
27123	2	NEEDLE ROLLER 4mm x 15.8mm LONG

Cont'd.....

