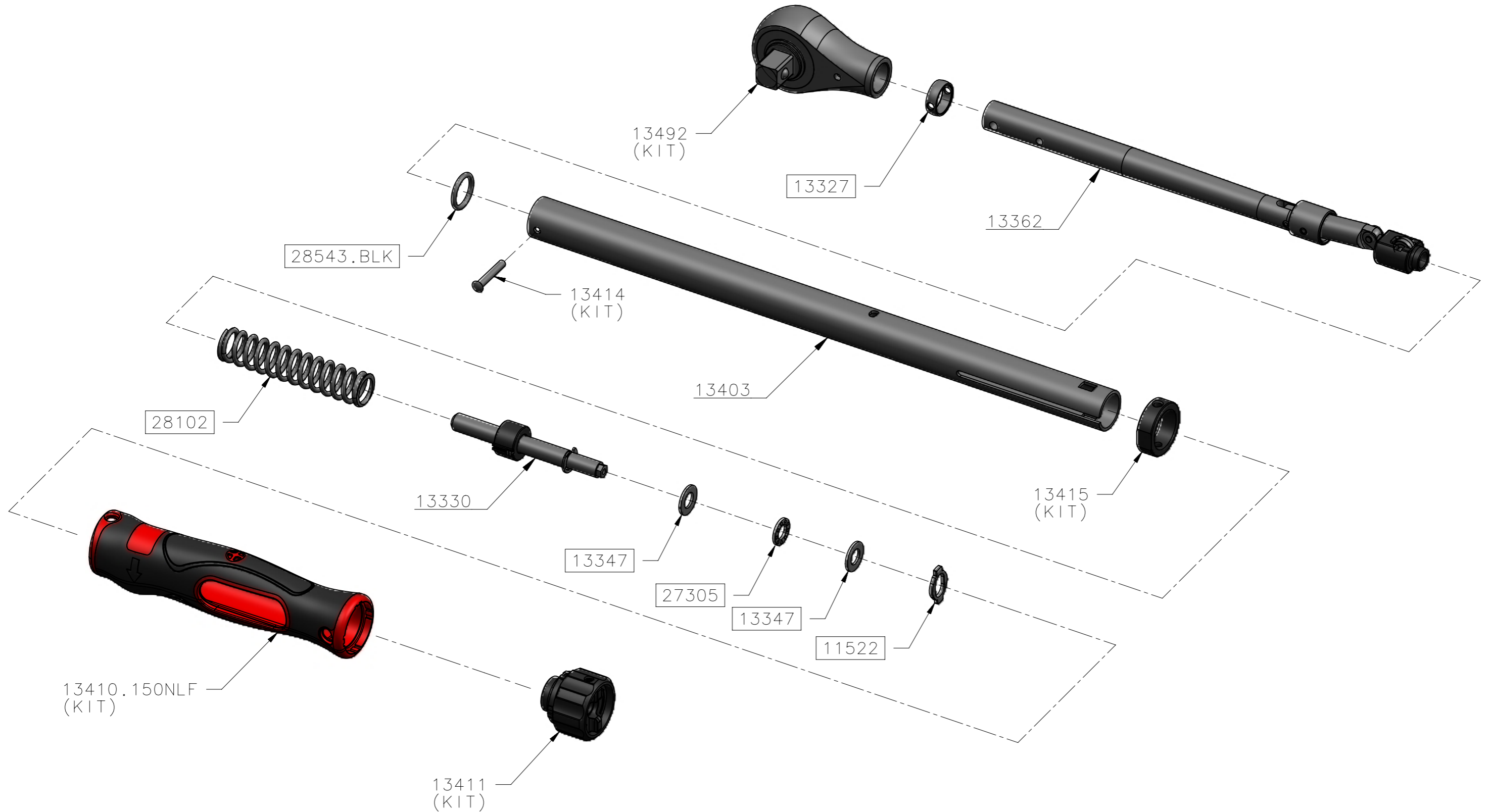


# 13452 - TW TTi150 1/2 SQ Nm ONLY



ALL BOXED PART NUMBERS ARE SUBJECT TO A MINIMUM ORDER QUANTITY