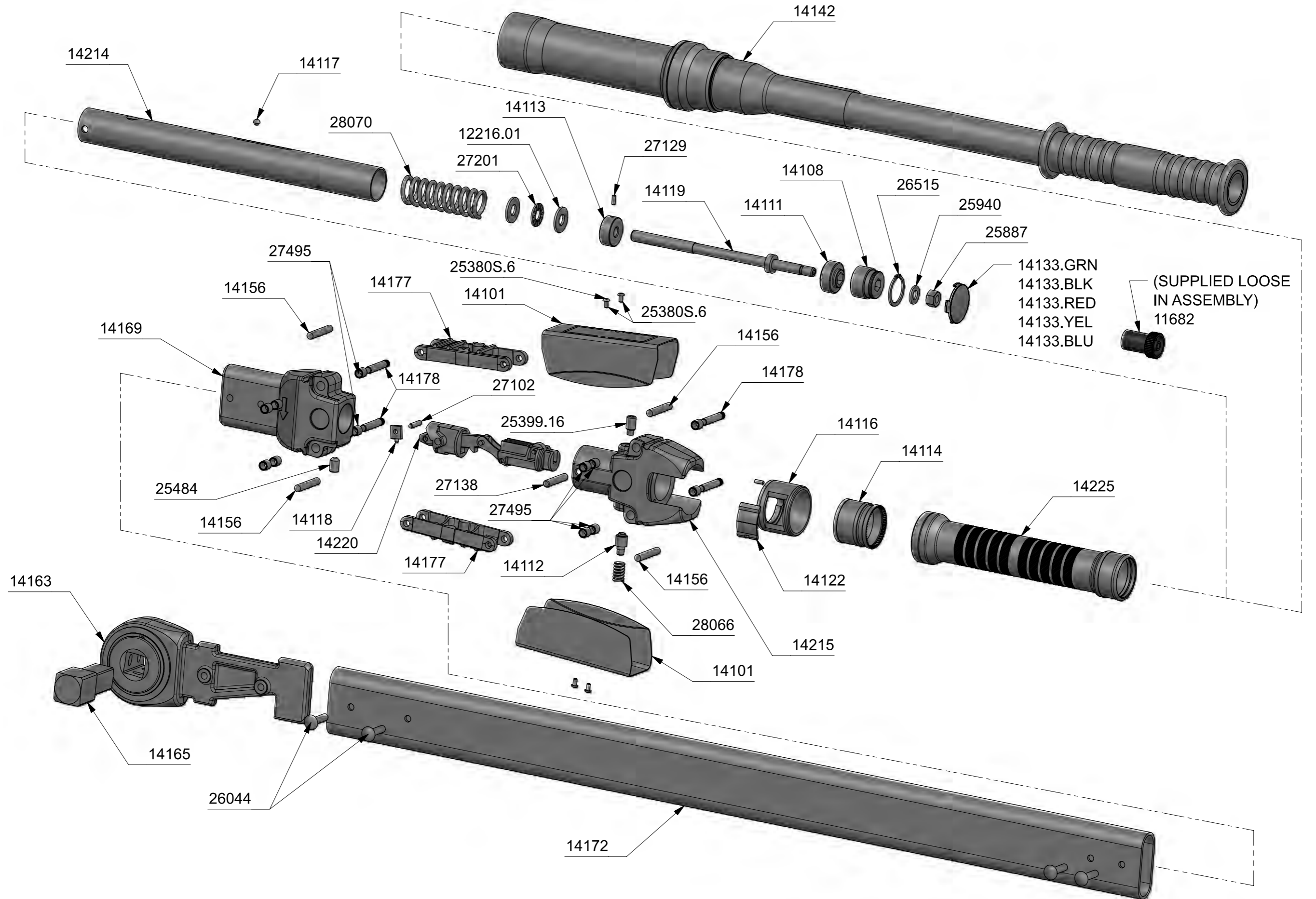


# 14008 – TW MDL 1000 P 1SQ Nm/lbf.ft





# 14008 – TW MDL 1000 P 1SQ Nm/lbf.ft

ISSUE 17  
05DEC24  
ECN-011347



|           |    |  |
|-----------|----|--|
| 27201     | 1  | BRG THRUST NEEDLE ROLLER TORRINGTON NO NTA613            |
| 12216.01  | 2  | HARDENED THRUST WASHER                                   |
| 27138     | 1  | CYLINDRICAL ROLLER DIA 6 X 36 LG                         |
| 14114     | 1  | SCALE ROTATING GEAR MDL 550-1500                         |
| 14116     | 1  | SCALE MECHANISM COVER MDL 550-1500                       |
| 14118     | 1  | SECONDARY LEVER PIVOT PIN MDL 550-1500                   |
| 14122     | 1  | SCALE LENS COVER MDL 550-1500                            |
| 27495     | 12 | DP4 BUSH 6 I/D x 8 LONG 0608DP4                          |
| 14142     | 1  | EXTENSION HANDLE ASSEMBLY MDL 550-1500                   |
| 14172     | 1  | BODY TUBE MODEL 1000                                     |
| 25399.16  | 1  | SSS M8x16LG DOG POINT - 12.9 TO ISO4028 WITH DRI-LOC 211 |
| 25484     | 1  | PIVOT SCREW  |
| 14165     | 1  | SQ DR ASSY 1-MDL 1000/1500                               |
| 28066     | 1  | SPRG/COMP 9.6 O/D x 14.5 LG                              |
| 28070     | 1  | COMP.SPRING 250D.x75LGx3.30WD                            |
| 14215     | 1  | REAR SUPPORT BLOCK MDL 550-1500 [Mk2]                    |
| 26044     | 4  | RIVET SEMI-TUBE MDL 1000/1500                            |
| 14101     | 2  | SADDLE PLATE MDL 550-1500                                |
| 14225     | 1  | MK2 HANDLE SLEEVE LARGE PROFESSIONAL                     |
| 14169     | 1  | FRONT SUPPORT BLOCK 1000Nm                               |
| 14113     | 1  | ADJUSTING NUT MDL 550-1500                               |
| 14119     | 1  | ADJUSTING SCREW P TYPE MDL 550-1500                      |
| 25887     | 1  | NUT M8 TO DIN 934 ZINC & CLEAR                           |
| 14108     | 1  | HANDLE ARBOR P TYPE MDL 550-1500                         |
| 25940     | 1  | WASHER M8 FORM A TO ISO 7089 ZINC & CLEAR                |
| 14133.BLK | 1  | END CAP P TYPE-BLACK                                     |
| 14133.BLU | 1  | END CAP P TYPE-BLUE                                      |
| 14133.GRN | 1  | END CAP P TYPE-GREEN                                     |
| 14133.RED | 1  | END CAP P TYPE-RED                                       |
| 14220     | 1  | SECONDARY LEVER ASSY FOR MDL 500-1500                    |
| 14163     | 1  | RATCHET ASSY MDL1000/1500                                |
| 14214     | 1  | HANDLE TUBE FOR MDL 550-1500 [Mk2]                       |
| 14178     | 4  | PIVOT PIN  |
| 27129     | 2  | NEEDLE ROLLER NRA 3x7.8 G2                               |
| 14177     | 2  | LINK FRAME MDL 550-1500 UPRATED VERSION                  |
| 14133.YEL | 1  | END CAP P TYPE-YELLOW                                    |
| 14117     | 1  | LOCKING PIN P TYPE MDL 550-1500                          |
| 11682     | 1  | SOCKET 13mm AF FOR P TYPE PROFESSIONAL ADJUSTING         |
| 25380S.6  | 4  | BUT.HD M3 x 6 STAINLESS WITH TUFLOCK TO ISO 7380         |
| 14111     | 1  | LOCK NUT MDL 550-1500                                    |
| 14112     | 1  | DAMPING PISTON MDL 550-1500                              |
| 14156     | 4  | SEAL 6MM DIA x 36LG NEO. CORD MDL 550-1500               |
| 27102     | 1  | NEEDLE ROLLER NRA 4.0 DIA X 17.8 LG G2                   |
| 26515     | 1  | CRCLP 24MM DIA EXT. TO DIN 471                           |
|           |    |  |