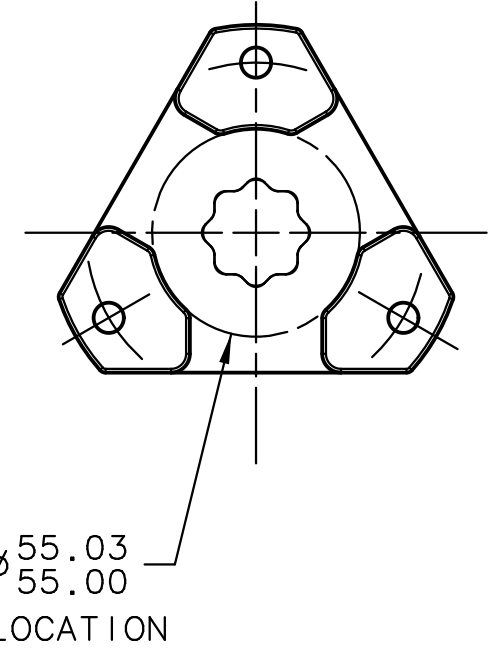
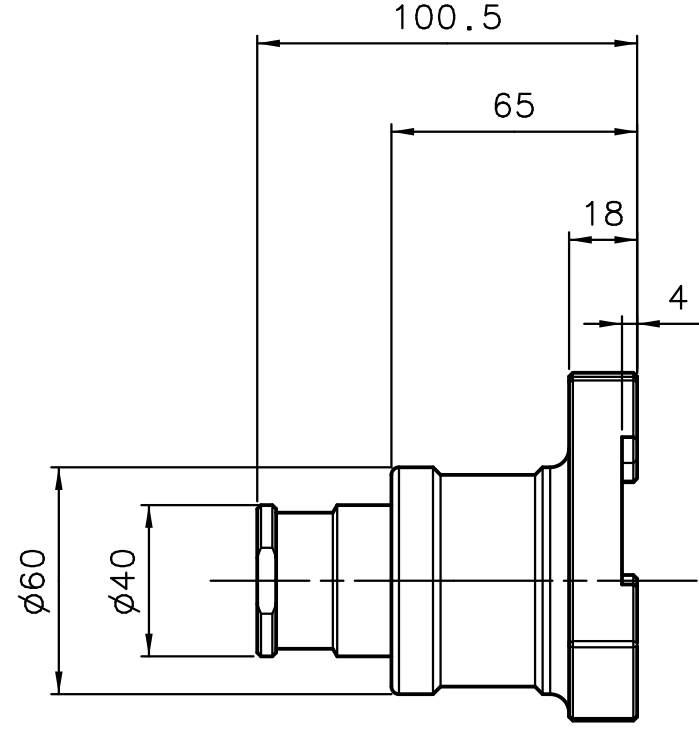



3 HOLES TO  
SUIT M8 SCS



MOD No.:	DATE:	SIG.:	MATERIAL	SCALE 1:2	IF IN DOUBT ASK	DO NOT SCALE DIMENSIONS IN MILLIMETRES (MM)	DRAWN BY PKD	TITLE 400Nm FMT OUTLINE DRAWING	
MODIFICATION DETAIL			FORM	A3	REMOVE ALL SHARP EDGES UNLESS STATED OTHERWISE (0.5 MAX CHMF)	TOLERANCES UNLESS STATED OTHERWISE	DATE DRAWN 22AUG03	 NORBAR TORQUE TOOLS LTD. DRAWING NUMBER <b>50675.0L</b> ISSUE <b>1</b>	
			HEAT TREATMENT			DIMENSIONAL $\pm 0.3$ ANGULAR $\pm 1/2^\circ$ HOLES H11			
			FINISH			SURFACE TEXTURE NOT TO EXCEED N8 UNLESS STATED			